

This bag contains small parts that present a choking hazard for children under 3 years of age. These parts are for adult assembly only and should be permanently affixed to the furniture. Any unused parts should be discarded properly.

DWG#: 143284

4/22/2015

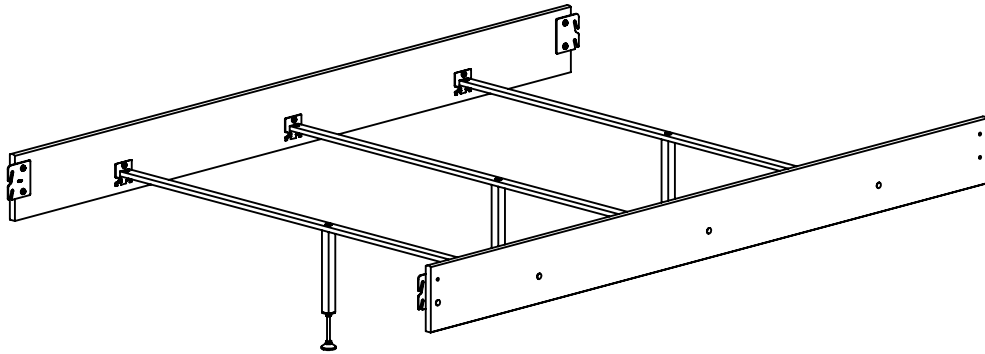
Rev.

Description

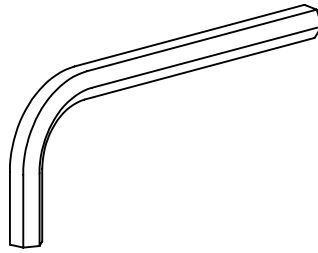
Date

Cad/Eng

Adjustable Center Support Instructions

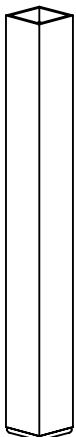


TOOLS:

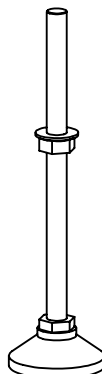


HARDWARE:

(3X)
CENTER SUPPORT



(3X)
ADJUSTABLE LEVELER



(3X) 1/4-20 X 30mm

