

# DWG#: 134282

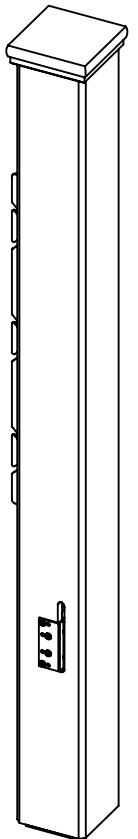
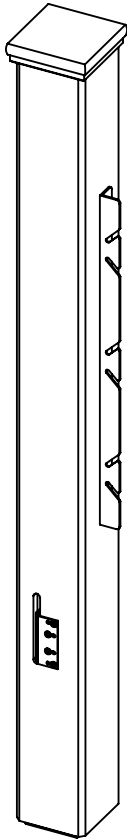
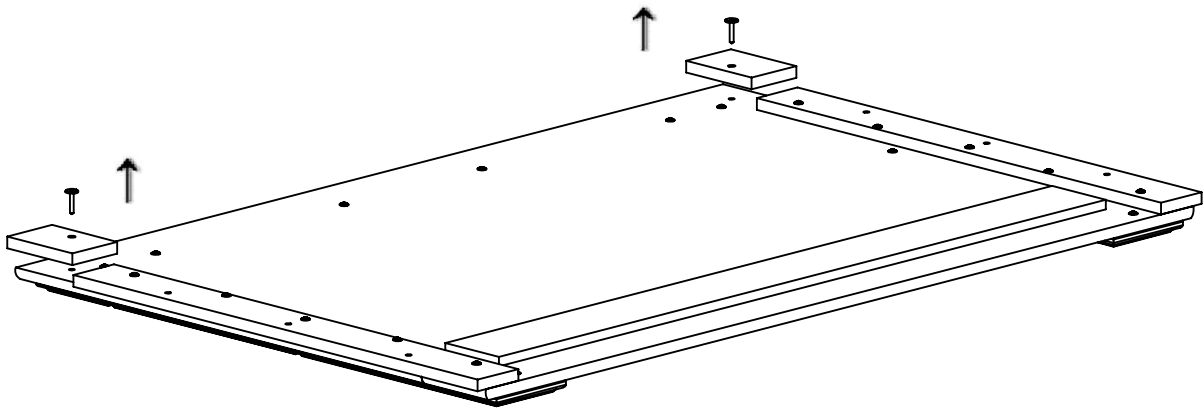
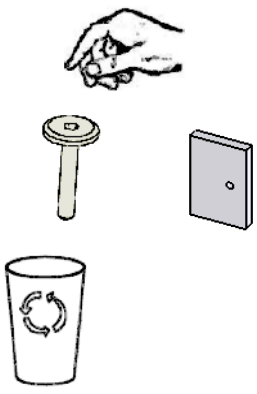
8/24/2012

Rev.

Description

Date

Cad/Eng



(X6) 1/4-20 x 19mm

